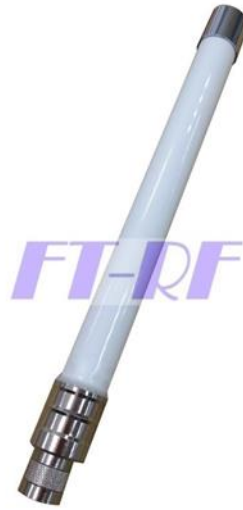


868MHz 3dBi Mini Omni Directional Outdoor Antenna (N-Male)



Applications:

- 860MHz - 870MHz Frequency Band
- IEEE 802.22 WRAN
- Point to Point Bridge
- Multipoint Application
- Bluetooth
- Public Wireless Hotspot
- Wireless Video Systems

Features:

- Superior performance
- Lightweight
- Good appearance design
- DC Short lightning protection
- Support is up and down or so to adjust
- Behind and support is made of aluminum
- Outdoor antenna for public hotspots
- Includes tilt and swivel mast mounting brackets
- RoHS Compliant

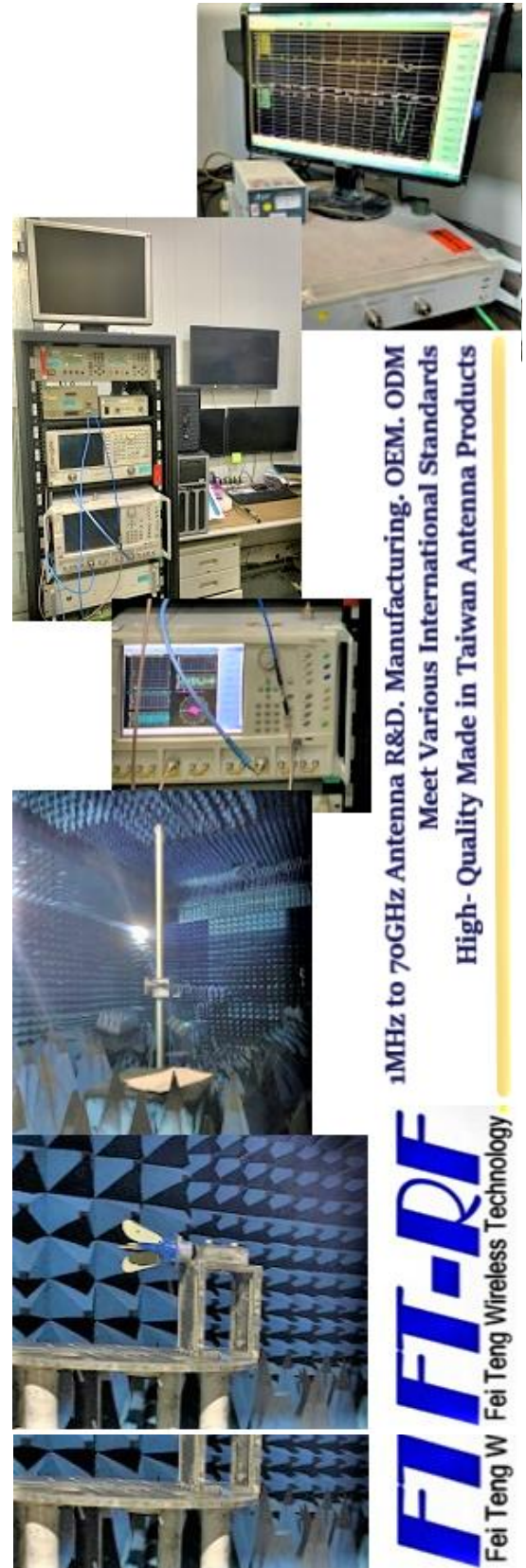
Model: OS-868M03-NM	-3db Beamwidth: Horz.360 deg Vert.110 deg
LxWxH: 295x24mm	N.W.: 180g
Connector: N-Male	Frequency: 860MHz - 870MHz
Styling: 1/4 Dipole	Polarization: Vertical
Gain: 3dBi	Max Power (C.W): 200W

Electrical Specification

Frequency Range	860MHz to 870MHz
V.S.W.R (MAX)	868MHz: 1.5 :1 860MHz and 870MHz: <2.0
Antenna Type	Collinear
Radiation	Omni Directional
Gain (MAX)	3 dBi
Polarization	Vertical
Maximum Power	100 Watts
Vertical Beamwidth	110 Deg
Horizontal Beamwidth	360 Deg
Impedance	50 Ohm
Antenna Design	1/4 Wavelength Dipole
Internal Material	Copper
Connector	N-Male

Mechanical Specification

Length (MAX)	295mm
Diameter (MAX)	24mm
Antenna Weight (G.W)	180g
Accessories (G.W)	3g
Application	Indoor / Outdoor
Radome Material	White Fiberglass
Parts Material	Copper
Wind Survival	Greater than 150MPH
Storage Temperature	-20 to +80
Operating Temperature	-20 to +60
Operating Humidity	10%~80% non-condensing
Storage Humidity	5%~80% non-condensing
Safety, Emission and other	RoHS



1MHz to 70GHz Antenna R&D. Manufacturing. OEM. ODM
Meet Various International Standards
High-Quality Made in Taiwan Antenna Products

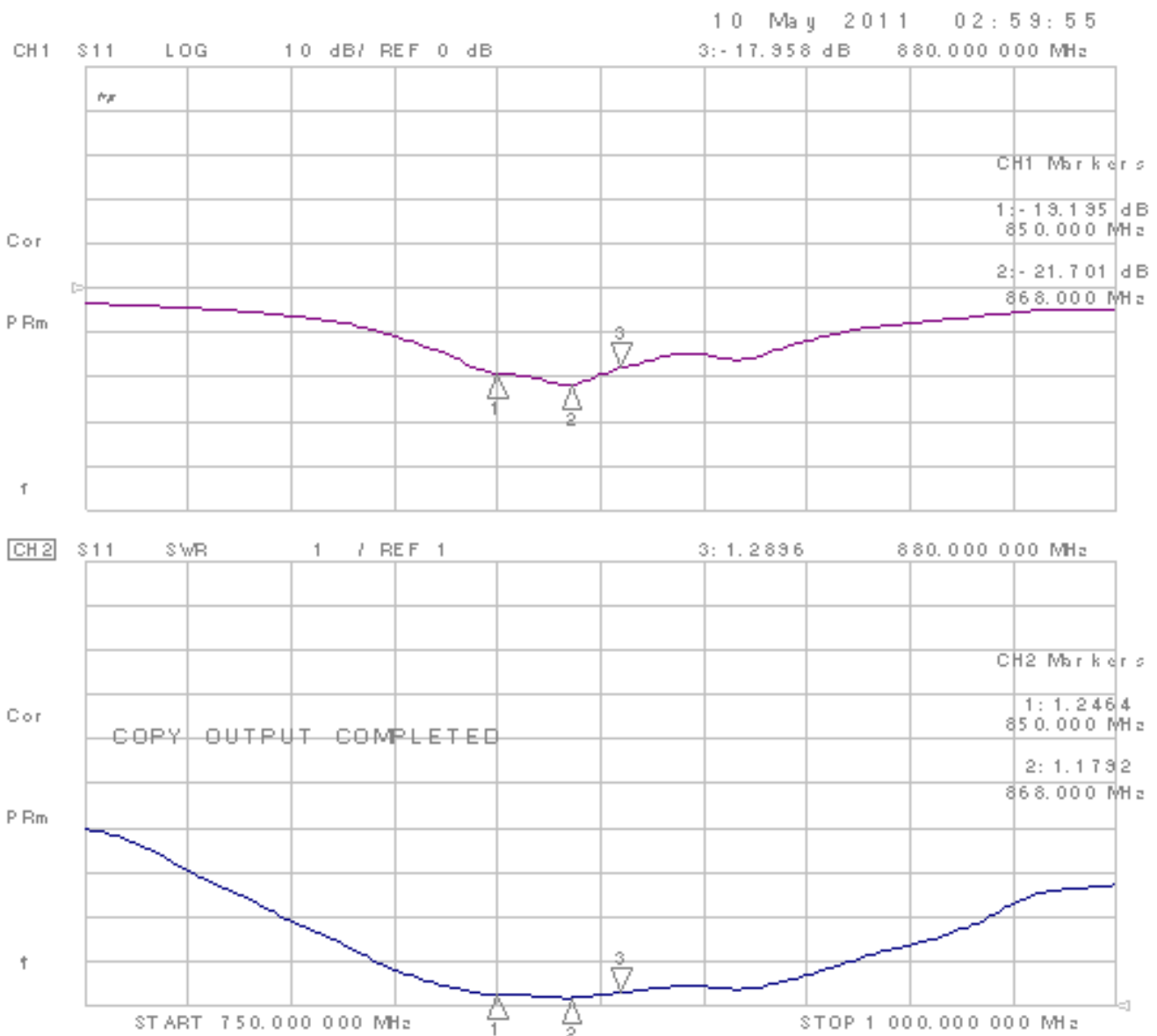


FT-RF
Fei Teng Wireless Technology

Network Analyzer Test Report

Test Equipment	Agilent 8720ET 50MHz-20.5GHz
Test Equipment Cable	Agilent 60cm SMA male to SMA male
RF connector Adapter	Agilent SMA-Female to N-Male DC~18GHz
Correction	85052D-DC-26.5Ghz
Test Model	OS-868M03-NM
Test Port	S11

V.S.W.R

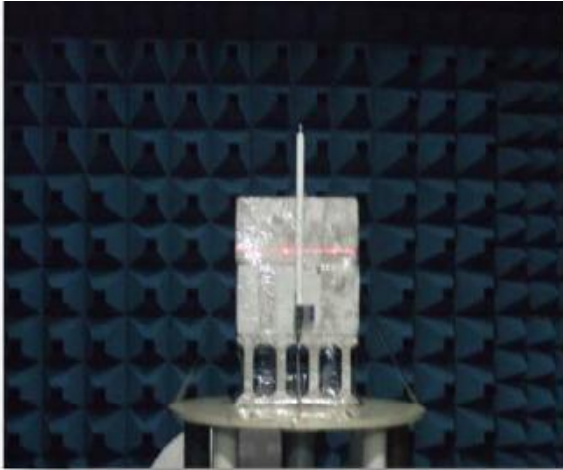
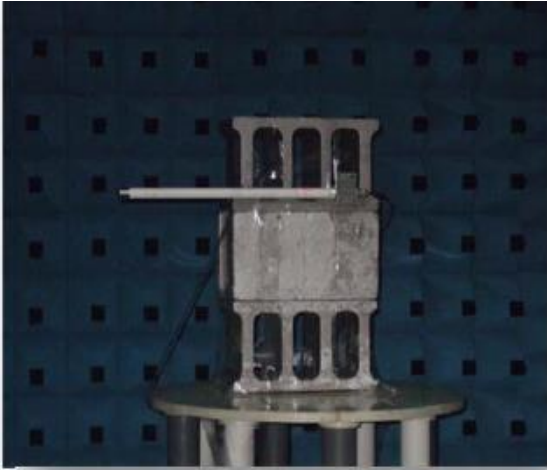


RF Chamber Test Report

Test Equipment	Agilent 8720ET 50MHz-20.5GHz
Chamber	7M(D) X 7M(H) X14M(L)
Test Frequency	860MHz - 870MHz
Test Antenna	FT-RF HA-07M18G-NF

Vertical Pattern Photo

Horizontal Pattern Photo

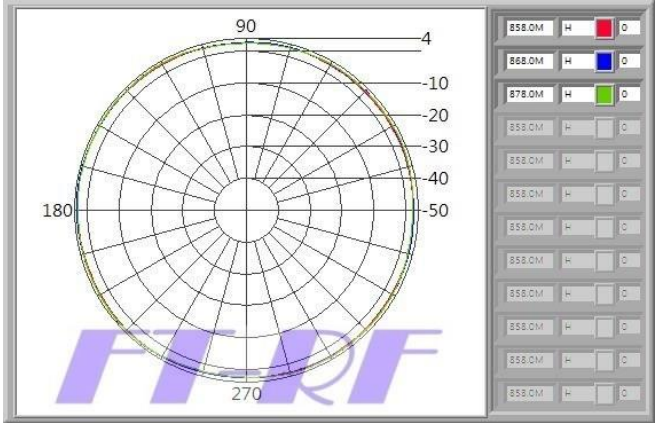
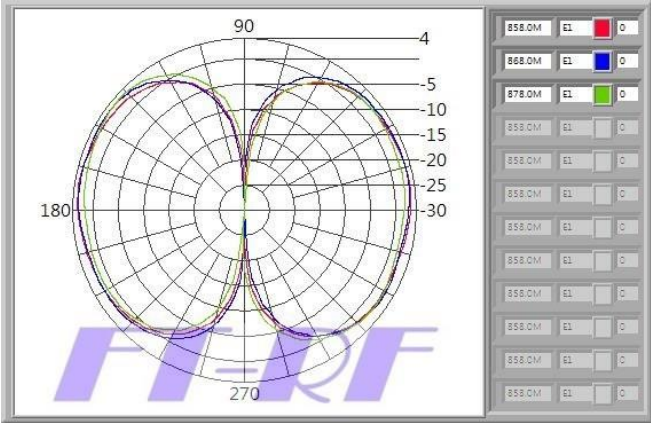


Vertical pattern

Horizontal Pattern

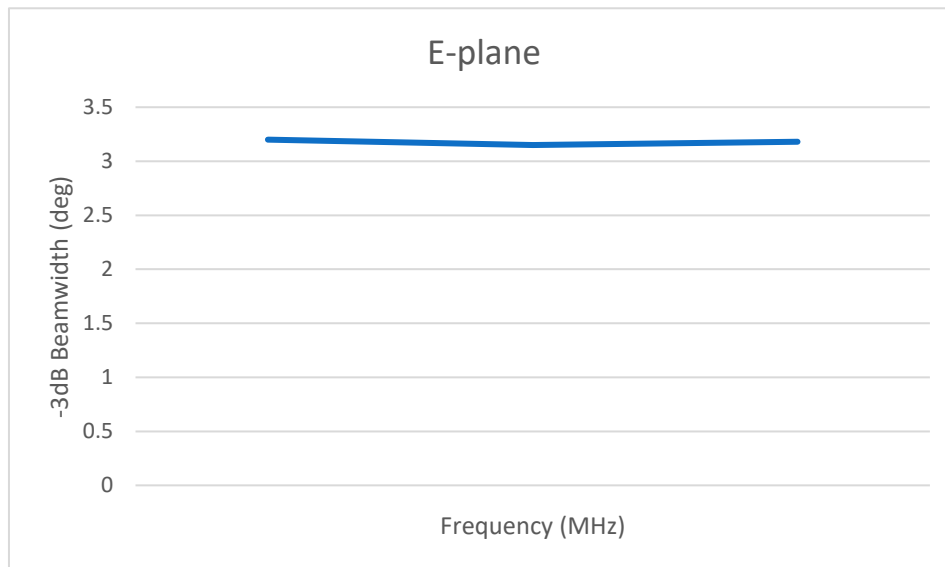
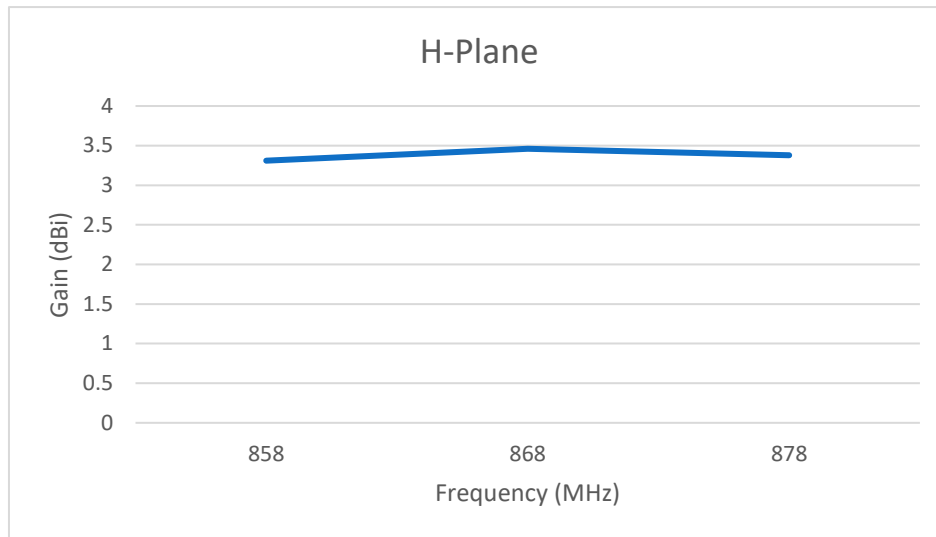
E-Plane co-pol --- - 3dB Beamwidth = 110deg

H-Plane co-pol --- - 3dB Beamwidth = 360deg



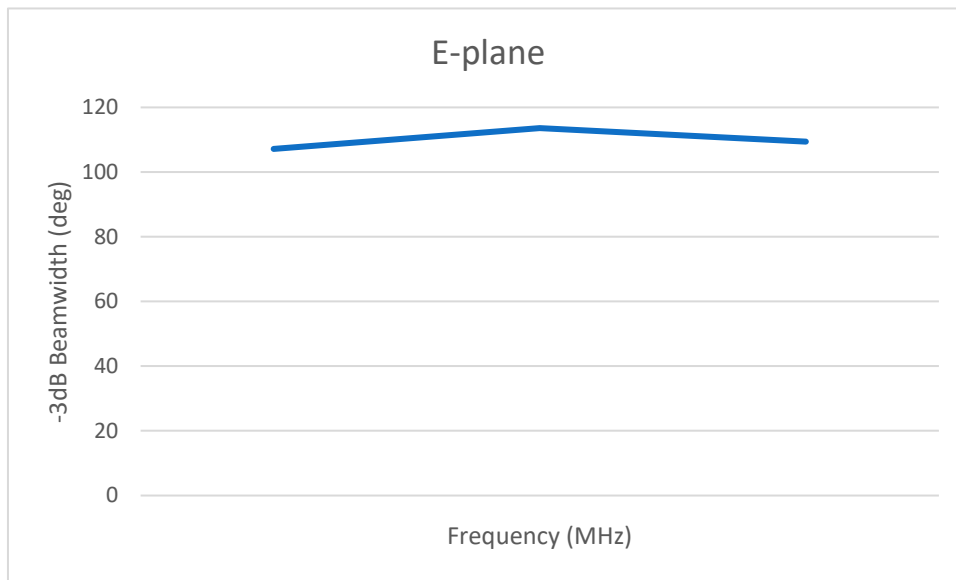
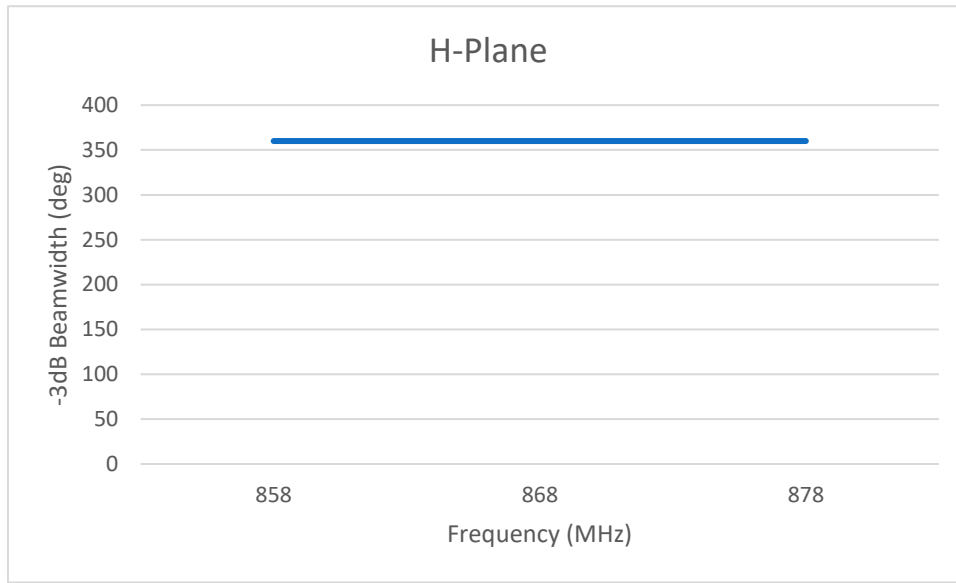
Antenna Gain

Frequency (MHz)	H-plane (dBi)	E-plane (dBi)
858	3.31	3.2
868	3.46	3.15
878	3.38	3.18



Antenna -3db Beamwidth Curve

Frequency (MHz)	H-plane (deg)	E-plane (deg)
858	360	107.17
868	360	113.6
878	360	109.46
AVG	360	110.46



Packing List & Label List

	1 Set Packing			
	Antenna			
	U-bolt			
	L-style Bracket			
	Carton			
	ITEM NO.		OS-868M03-NM 50 sets	
	Q'TY		50 PCS	
G. W.		10.5 KG		
N. W.		9 KG		
CARTON				
1 set carton Label		Antenna Label		
Size	50 x 80 mm(white)	Size	30 x 50 mm (blue)	
Customer:	Manufacture Data: yy/mm/dd	<p>OS-868M03-NM</p> <p>868MHz 3dBi Mini Omni Directional Outdoor Antenna (N-Male)</p>		
Customer Mode:				
Order Number:				
Weight:	kg			
Carton:	Box			
Amount:	Pcs			
Paste Position		Paste Position		
				

RoHs and WEEE Status (RoHs and WEEE Compliance)

Certificate of Compliance

Date:

To Whom It May Concern

FT-RF hereby certifies that product:

Model	Product
OS-868M03-NM	868MHz 3dBi Mini Omni Directional Outdoor Antenna (N-Male)

Is in conformance with the requirements of the European RoHS Directive 2011/65/EU and the European WEEE Directive 2012/19/EU, all materials referenced therein are in concentrations below the maximum allowable levels specified. Products manufactured by FT-RF bear the CE marking and have FCC certificate. FT-RF has been assessed and found to be in accordance with the requirements of ISO 14001:2015 and ISO 9001:2015 standards, scope of Design and Manufacture of Antenna.

Our statements in this letter regarding RoHS and WEEE compliance do not extend to, or apply to any product subjected to unintended contamination, misuse, neglect, accident, improper installation, or to use in violation of instructions furnished by FT-RF.

Sincerely,

FT-RF (Fei Teng Wireless Technology CO., LTD)

The information contained in this letter is being provided for informational purposes only and to clarify certain information concerning FT-RF products. Nothing provided in this letter is:

- (1) a representation, warranty, or agreement to indemnification by FT-RF.
- (2) a statement which may form the basis of reliance by FT-RF,
- (3) a modification of any of the terms and conditions of sale agreed to in writing between FT-RF and its customers with respect to any FT-RF products, whether previously sold or to be sold in the future.