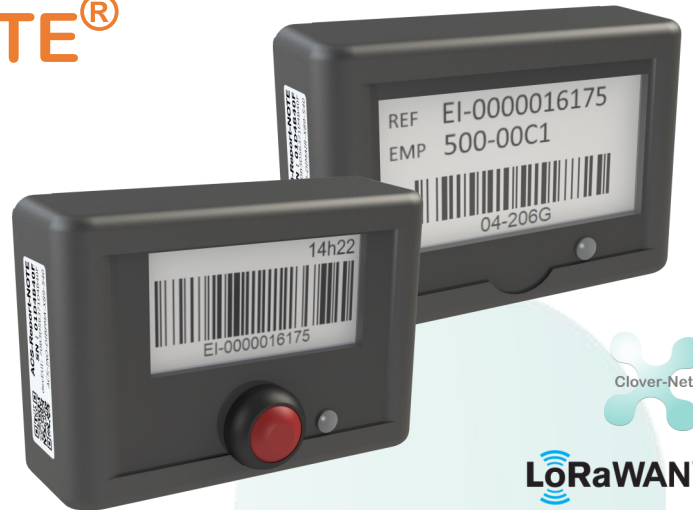


ACS-REPORT-NOTE®

CONNECTED E-PAPER



USE CASE



LOGISTICS AND TRANSPORTATION

Simple and effective visual identifier to inform drivers, operators or production staff of the content, quantity, availability and/or destination of the asset



INDUSTRIAL PROCESS

Show and update real-time production and flow information. Manage tasks by priority or by status and show these information to the operators



FACILITIES MANAGEMENT

Update remotely displayed information according to action status. Automatic update or force the update with the Tap Tap feature

PRODUCT HIGHLIGHTS

PLUG & PLAY : AUTONOMOUS AND WIRELESS

Communicating through a LPWAN network, the ACS-Report-Note is autonomous and wireless.

REALTIME DISPLAY UPDATE

Update the display whenever you need in real-time

OPTIMIZED BATTERY CONSUMPTION for more than 5 years of battery life depending on the use case.

DATALOGGING of timestamped events (+3000)

REPLACEABLE BATTERY

AVAILABLE OPTIONS:

- 3-color display (White, Black and Red)
- Action Button on front
- Pick-to-light
- PIR detector on front
- LoRa tracking
- Embedded process

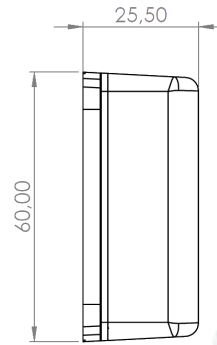
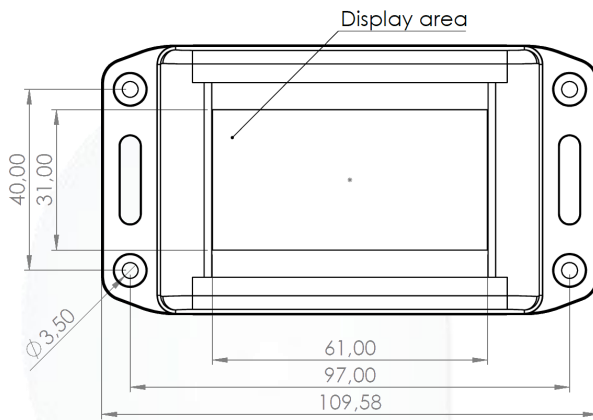
CLOVER-NET TECHNOLOGY



Real-time two-way communication protocol to facilitate the installation and setting of sensors, collection of time-stamped data, automatic inventories, OTA updates...

SPECIFICATIONS

Mechanical specificities



Fastening system

Screw

Magnet (optional)

Glue

Certifications

CE, EN 300-220

Display

3 colors: Black, White, Red

Disp+Button 2.13p - 250 x 122 pixels

Full display 2.66p - 296 x 152 pixels

Physical characteristics

Battery	Lithium 3.6Ah replaceable
Material	ABS PC V0 UL94
Weight	110g
IP index	IP54 or IP66
IK index	IK07 or IK08 (optional)
Operating temperature	0°C to 70°C
Storage temperature	-40°C to 80°C
Humidity	< 95% without condensation



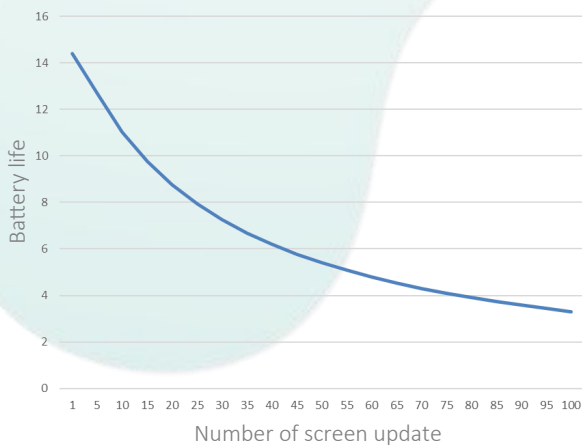
CAUTION: THIS PRODUCT USES LITHIUM BATTERY.

FOR YOUR SAFETY, PLEASE CHECK OUR WEBSITE.

Communication

LoRaWAN	Class A
	EU868, 915US, AU915, AS923
	Private and public networks
	OTAA and ABP
	Power transmission : 14dBm (EU) to 20dBm max
	Operator compatible : Objenious, Orange ...
	Network core providers : Actility, Orbiwise, TTN, Lorient...
CloverNet	Broadcast, multicast, point-to-point

Battery life



Use case

Keep alive notification every hour

1 screen update at each button push

24/24 Working hours

Display sample

OF M533930 CAJUS
 00107367 9999 / 9
 Bdl0682-51-6-a/retaiwsethbl#2
20/09/82 Urg/AOG
 Départ Navette le 10/09



14h22

 EI-0000016175

REF EI-0000016175
 EMP 500-00C1


 04-206G

INEO-SENSE

125 Rue de L'hostellerie,
 Immeuble ELLIPSIS, Niv 4 Porte 12
 30 900 Nîmes — France

Phone : +33 466 276 495
 Web : www.ineo-sense.com
contact@ineo-sense.com

© 2020 Ineo-Sense. All rights reserved. Clover-Net, Clover-Sense, ACS-Switch-Report-LED, are trademarks of Ineo-Sense company. All other brands mentioned are the property of their respective holders. This is non-contractual document, and may be modified without notice.