

ACS-PADLOCK-II®

REUSABLE CONNECTED SEAL



LoRaWAN™



NB-IoT

LTE-M



USE CASES



ROAD TRANSPORT

Monitors your cargoes for the duration of the transport. Lock and unlock notification. Fraud alert.



LOGISTICS

Control of connected padlocks to secure loading docks. Remote control of the padlocks.



ELECTRICAL CONSIGNMENT

Manages the consignments of electrical cabinets and the various protective organs and controls in electrical cabinets.



ACCESS MANAGEMENT

Secures access. User management with rights allocation. Fraud alert and notification of locking/unlocking with user identification.

PRODUCT HIGHLIGHTS

MULTIPLE COMMANDS

Various sealing capabilities: LoRaWAN downlink, CloverNet, NFC and BLE, choosing the control media according to the case of use.

REAL-TIME MONITORING

In addition to the periodic state, ACS-Padlock-II immediately notifies any event: cable cutting and tearing, stack hatch opening and motion detection.

LED IDENTIFICATION

A bi-color LED on the case makes it easier to install the product, to know its condition and to validate the lock/unlock controls.

OPTIMIZED ALGORITHM for a battery life of 3 to 5 years depending on the use case.

TIME-STAMPING AND DATALOGGING OF EVENTS (+3000)

REPLACEABLE BATTERY

REPLACEABLE CABLE

OPTIONS AVAILABLE:

- Cellular connectivity with GPS
- Personalization on demand: Case color, brand logo
- Specific business features.

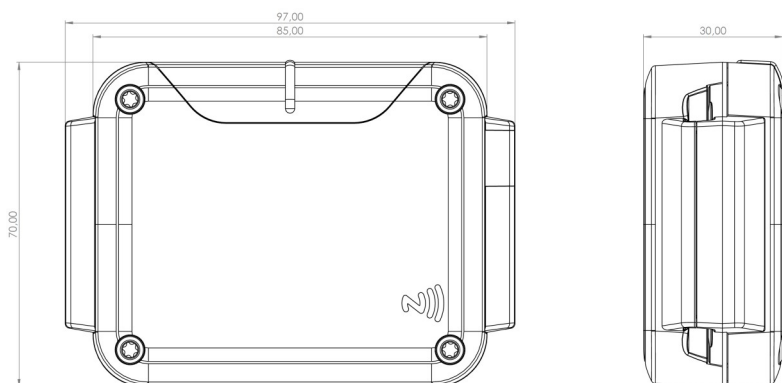


CLOVER-NET TECHNOLOGY

Real-time two-way communication protocol to facilitate the installation and setting of sensors, collection of time-stamped data, automatic inventories, OTA updates...

SPECIFICATIONS

Mechanical Characteristics



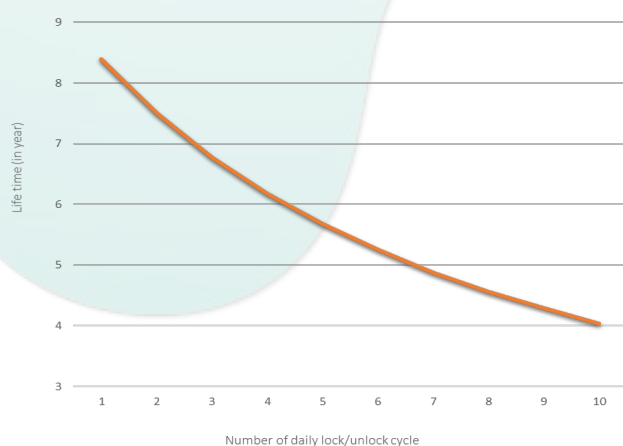
Physical Characteristics

Battery	Lithium 3.6Ah replaceable
Material	ABS PC V0 UL94
Weight	160 g
IP index	IP66
IK index	IK09
Operating temperature	-20°C to 70°C
Storage temperature	-40°C to 80°C
Humidity	< 95% without condensation



CAUTION: THIS PRODUCT USES LITHIUM BATTERY.
FOR YOUR SAFETY, PLEASE CHECK OUR WEBSITE.

Battery life



Communication

Close	NFC, Bluetooth 5.0
LoRaWAN	Classe A EU868, 915US, AU915, AS923 Public and private network OTAA and ABP Power transmission: 14dBm (EU) 20dBm Operator compatible : Objenious, Orange and Core network providers : Actility, Orbiwise, TTN, Loriot ...
SigFox	RC1, RC2, RC4
CloverNet	Broadcast, multicast, point-to-point
Cellular (optional)	Nb-IoT, LTE-M CatM1

Certifications

CE, EN 300-220
ATEX zone 1 cat IIC (Optional)

Cable

30cm as standard
Tear strength: 80kg
Secure digital cable

Use case

1 life frame every 24 hours
LoRaWAN communication in SF12

Data transmitted

Seal status
Events counter
Alarm in case of cable cut, cable tearing, battery hatch opening
History with time stamp
Activity data (battery, ...)
Temperature level
Product configuration by downlink

INEO-SENSE

125 Rue de L'hostellerie,
Immeuble ELLIPSIS, Niv 4 Porte 12
30 900 Nîmes — France

Phone : +33 466 276 495
Web : www.ineo-sense.com
contact@ineo-sense.com