

Technical Manual

PT100 module

The PT100 module is a module that fits inside the ELT2 and is intended for connecting a PT100 platinum sensor with 2- or 4-wire connection.

Features

- Easy use with PT-100 (RTD platinum sensor)
- 2- or 4-wire connection
- Measures -200 to 790 °C
- Fits inside the ELT-2 box
- Powered by the ELT-2 internal battery
- Very low energy consumption
- Terminal block for easy connection

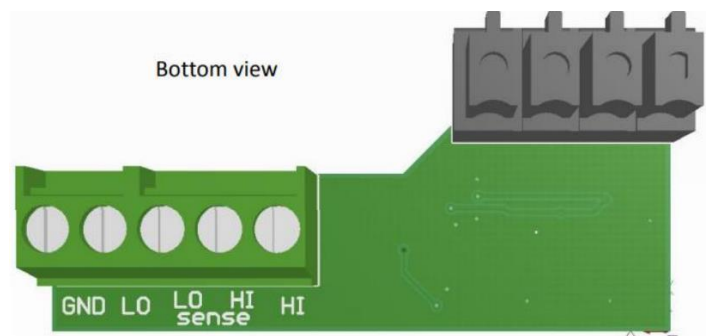
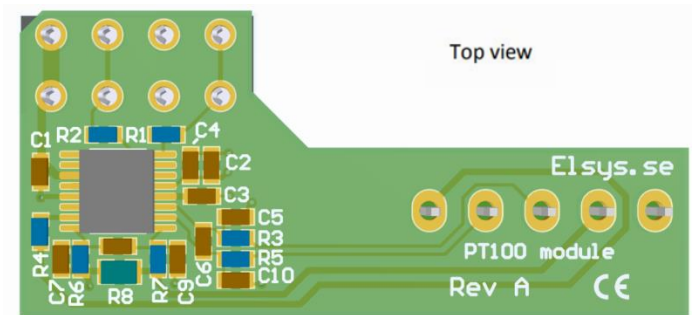
Accuracy (RTD)

± 0.1 °C (-40 to 200°C) + sensor deviation.

± 0.5 °C (full span) + sensor deviation.

Using the PT100 module with a PT100 RTD

- Set external sensor in the ELT2 to "PT100"
- Make sure the external period isn't set to zero.
- Read temperature value in degrees Celsius with data type "External temperature" (0x0C)



2-wire connection

4-wire connection

