

# Technical manual

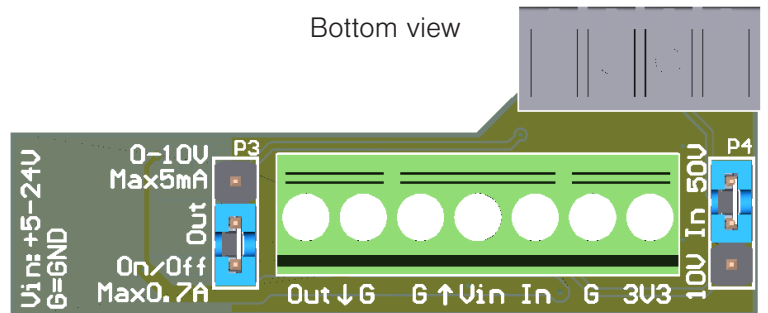
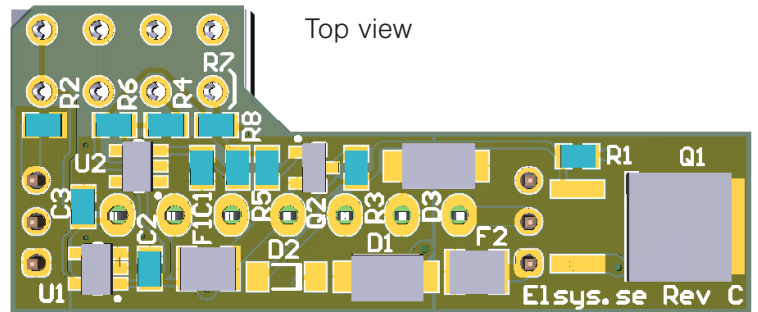
## EXT Module, Rev C

Published: 22 December 2023

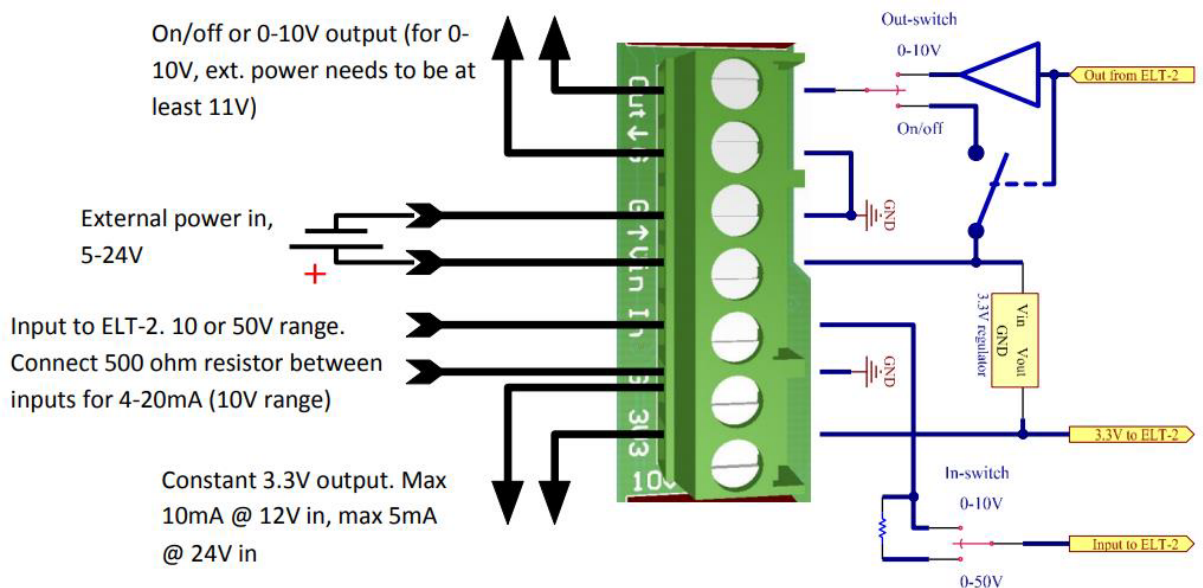
EXT-module is a module that fits inside the ELT-2 and is intended for connecting external power and actuators and be used as a class C device. It can also connect to sensors and be used as a class A device.

### Features

- Connection for external power
- On/Off output
- 0 – 10 V output
- General purpose input
- Fits inside the ELT-2 box
- Powers the ELT-2
- Switching between functions are done with jumpers.



Input voltage: 5 – 24 V DC  
 On/Off output: Max 0.7 A  
 0 – 10 V output: Max 5 mA  
 Input can be scaled to allow up to 50 V



### Address

Tvistevägen 48  
 90736 Umeå  
 Sweden

### Webpage

[www.elsys.se](http://www.elsys.se)  
[www.elsys.se/shop](http://www.elsys.se/shop)

### E-mail

[support@elsys.se](mailto:support@elsys.se)